

# muvman

## Stand or Sit? Both!

### muv•man

Active-Sit-Stand

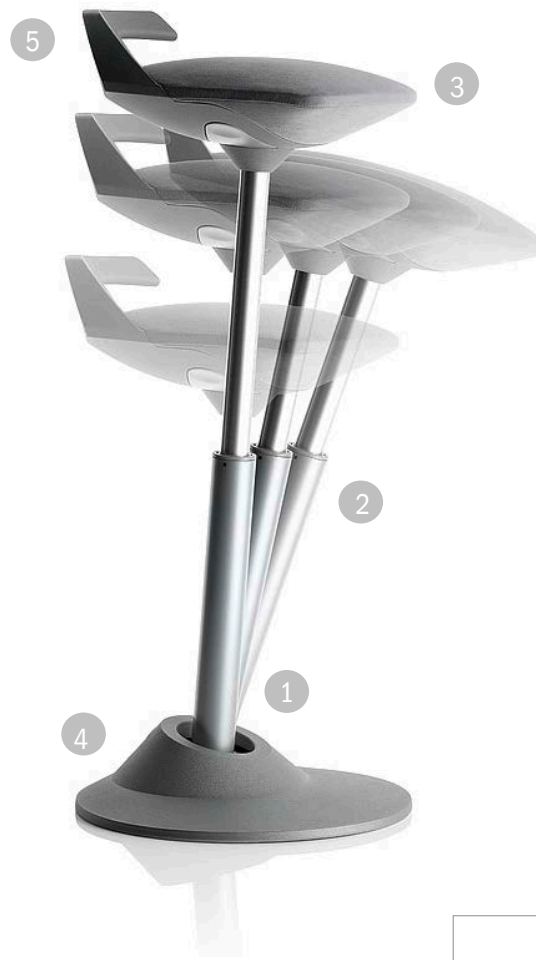
**1) muvzone - the multidimensional movement element in the baseplate:** Provides maximum sideways movement, extends your reach and ensures an optimum sitting posture with respect to the working surface.

**2) Tilted spring strut:** Relieves the intervertebral discs and encourages an upright posture with respect to the working surface.

**3) Convex seat with flexible front edge:** The shape of the seat encourages an upright posture and the flexzone prevents pressure points at seat edges.

**4) Sturdy baseplate:** Extremely stable with no danger of toppling.

**5) Carrying handle:** Practical handle for carrying the **muvman** to wherever it is needed.

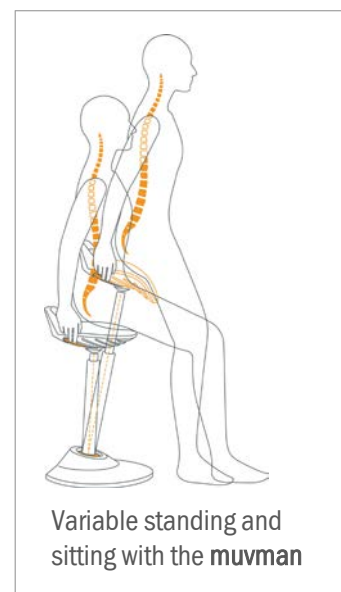


### Setting options

- Seat height (gas spring)  
Height adjustment range: 51cm – 84cm  
(HIGH version: 60cm – 93cm)

### Many advantages. Simply good.

- Acts against rigid standing and sitting
- Improves posture
- Extends reach
- Relieves and strengthens the back
- Strengthens and exercises muscles
- Stimulates blood circulation and lymph flow
- Supports blood circulation and supply of oxygen





# muvman

## Moving, in every detail.



### Technical Data

Product weight: 6.3kg  
 Baseplate diameter: 38cm  
 Seat height: 51cm – 84cm, HIGH version: 60cm – 93cm  
 Load: max. 120kg  
 Seat surface: 34cm x 32cm  
 FACTORY version: With robust faux leather seat cover and dustproof cover for the movzone in the baseplate.

Models	Seat cover options	Seat cover colours	Base colour	HIGH version
<b>muvman</b>	Microfibre	grey, black, green, blue	grey or black	Extra charge 
<b>muvman FACTORY</b> Special version for high demands in the manufacturing and laboratory sectors	Robust special seat cover	black	grey or black	Extra charge 

### Options (extra charge)

HIGH version      Seat height 60cm – 93cm

